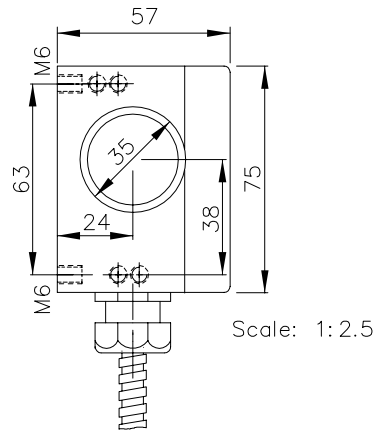
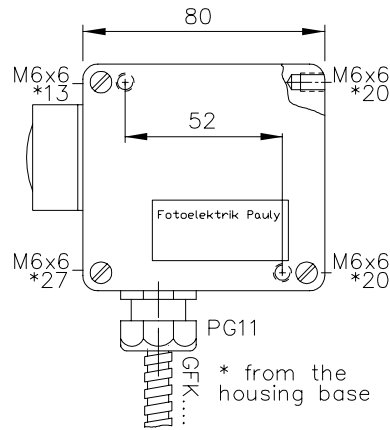
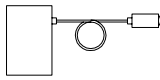


Angular Ancillary Optic for Fibre Optic Cable Connection Type A-GFK90

up to 200°C

Angular Ancillary
Optic
for Fibre Optic
Cable Connection

A-GFK90

Order no.:

8164

Application:

The fibre optical elements A-GFK and At-GFK serves in connection with a fibre optic cable type GFK and a suitable control unit as an "optical extension" with whose aid the light barrier functions can be effected in the higher temperatures range.

Technical Characteristics:

Housing cast aluminium
Weight approx. 700 g
Protection mode IP65
Ambient temperature -50...+200°C

Special versions:

Hole or slot diaphragms at the light beam entrance (exit) of the fibre cable.

If using cooling water flange, then milled wall, y

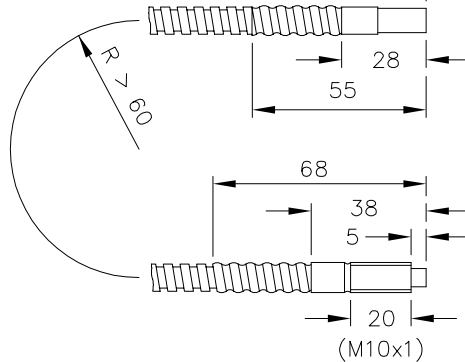
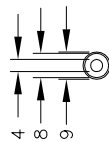
Accessories:

Fibre optic cable GFK...
Control units e.g.: PP5522
PP2009GFK
JP(U/V)103GFK
TRI143...GFK

Optic accessories:

Adjustment flange JF25H
Heavy adjustment flange R26SH
Cooling water flange KW25
Diaphragms
Special filters
Anti-dust tubes

Fibre optic cable GFK...:



Lengths

1.1m : GFK02
1.5m : GFK03
2.1m : GFK04
4m : GFK06
4.5m : GFK09
5m : GFK10
6m : GFK08
7m : GFK01
8m : GFK05
10m : GFK07
11m : GFK11

8164 DE
E_8164_1
(15.12.03 g/s)
21.02.05