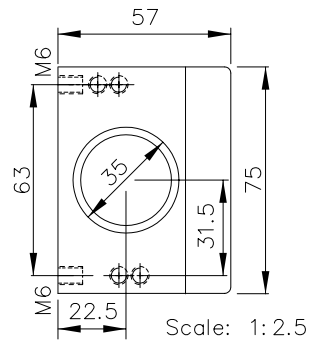
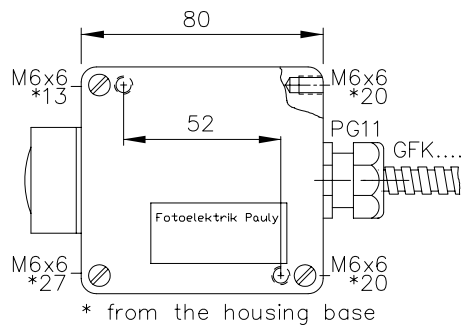
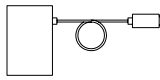


Ancillary Optic for Fibre Optic Cable Connection Type A-GFK

up to 200°C

Ancillary Optic for Fibre Optic Cable Connection

A-GFK

Order no.: 8162

Application:

The fibre optical elements A-GFK and At-GFK serves in connection with a fibre optic cable type GFK and a suitable control unit as an "optical extension" with whose aid the light barrier functions can be effected in the higher temperatures range.

Technical Characteristics:

Housing cast aluminium
 Weight approx. 700 g
 Protection mode IP65
 Ambient temperature -50...+200°C

Special versions:

Hole or slot diaphragms at the light beam entrance (exit) of the fibre cable.

If using cooling water flange, then milled wall, y

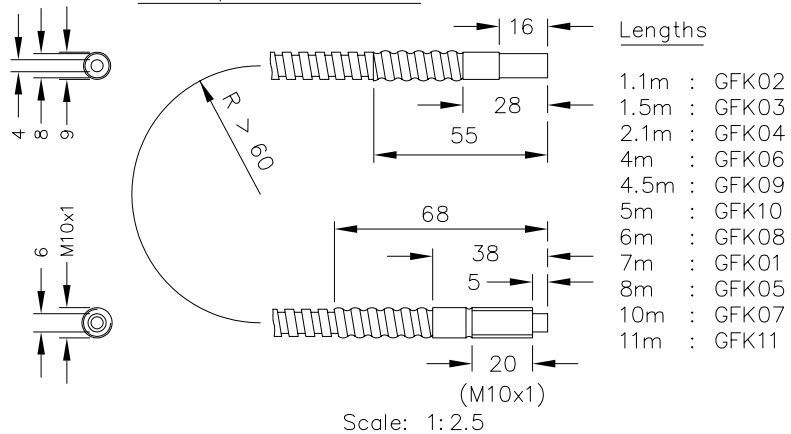
Accessories:

- Fibre optic cable GFK...
- Control units e.g.: PP5522
- PP2009GFK
- JP(U/V)103GFK
- TRI143...GFK

Optic accessories:

- Heavy adjustment flange R26SH
- Cooling water flange KW25
- Diaphragms
- Special filters
- Anti-dust tubes

Fibre optic cable GFK...:



8162 DE 14.04.05 tb
 E_8162_1
 (15.12.03 gs)
 (21.02.05 mi)