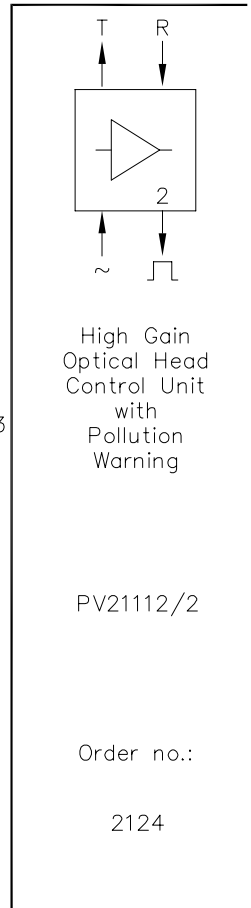
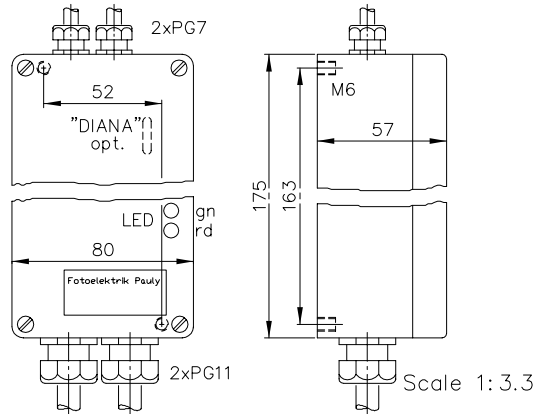


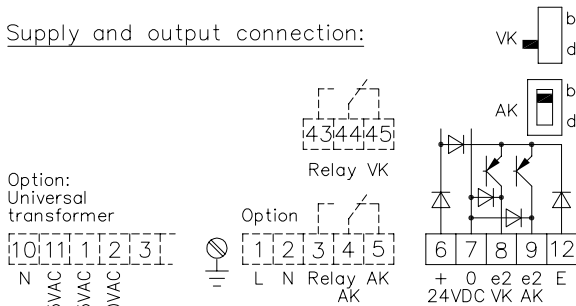
## Control Unit Type PV21112/2 with Pollution Warning

### for 1 Light Barrier with Driver Stage (v) not(!) Preamplifier (vv)

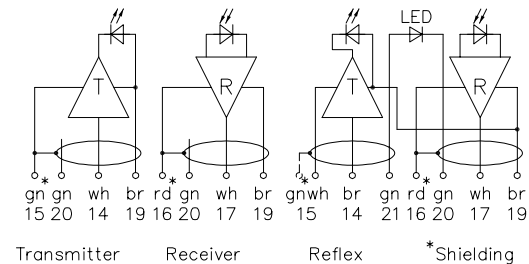
Valence of digit position in Typification	0	1	2	3	4
1 Type of Device			Control unit for ext. LB		
2 Number of Light-barriers and Type of Housing	1 R26	1 R27	2 R27	3 R57	4 R57
3 Mode of Operation	async minimal 2 LB	sync from 1 LB	mpx minimal 2 LB		
4 Performance	standard	high			
5 El. Design of Optics & max length of shielded cables	without preamp 2 x 4m	like 5.0 special output	with driver stage 2x 40m		



#### Supply and output connection:



#### Connection of optical units:



#### Technical Characteristics:

Housing: Al-Cast  
 Weight: approx. 850g  
 Protection mode: IP65  
 Supply: 24VDC/80mA without load  
 Output: 2xnpn 60mA s.c.-prot., e2  
 Switching mode: bright-/darkswitching selectable  
 Steady light resistance: >80kLx  
 Interference suppression: forced synchronization  
 Access time: <12ms/switch transition  
 Switching rate: electron.:40/s relay:10/s;  
 Switch indicator "AK": LED, green (brightswitching)  
 Switch indicator "VK": LED, red (darkswitching)  
 Power reserve: >50000:1/0m betw. T & R  
 Ambient temperatur: -25...+60°C

#### Accessories:

Optics A...Z only with additional "v"

#### Recommended field of application:

In connection with one pair of optics where space is very tight or temperature is expected to be high.

**Attention:** Allowed cable length for optic Heads max. 40m. Do not lay transmitter cable parallel to receiver cable. Close staggering of several light beams only allowed with multiplex systems. Do not use relay contacts for PLC-inputs. The switching equipment for the pollution warning (VK, red LED, switch pos. "d") is switched through when dirt or clogging causes the signal level to be under five times the minimum level. In case of using a Reflex optic head, please read the "Connection Regulations for Reflex Optic Head". \*E\_ 2124 1.TXT\*

#### Options:

Connection: 4+1 pin Plug stA5  
 6+1 pin Plug stA7  
 5+1 lead no.-cable K6  
 3x3 lead no.-cable 3K3  
 Connection Transm. 3 pin Plug stB3  
 Receiver 4 pin Plug stB4  
 Supply: 24...80VDC  
 230VAC, 110...130V, 42...48V, 24VAC  
 230/115/45VAC with universal transformer  
 2xRelay 250VAC/10A, 2500VA, 1xCh., R  
 2xnpn 60mA s.c.-prot., e3  
 2xOptocoupler 60V/50mA, e1  
 "a": <2ms/switch transition  
 "q": 300/s, Relay: 10/s  
 0...10s, switching-on-off-delay, separately adjustable, z10 (only AK)  
 Level indicator: DIANA, i  
 DIANA-Distributing for optics, i-i  
 Driver for external DIANA, i-i3x or i-i5x  
 switching off by means of a potential-free contact  
 Test function